

Wind Direction Sensor FVA 614



- Wind direction sensor for measuring the horizontal wind direction.
- Wind vane made from robust plastic, electronics in weather-resistant aluminum housing, rotating mechanism on friction bearings.
- A special labyrinth reliably protects without friction and guards against water penetrating into the housing.
- Electronically controlled heating for operation in winter conditions to prevent bearings and external rotating parts from freezing.

Technical Data

| | | | |
|----------------------|---|---------------|--|
| Measuring range: | 0 to 360° | Connection: | Adapter cable with ALMEMO® connector including supply cable for heating (length 1.5 m, free ends) A mains supply unit must be provided by the user on site. |
| Accuracy: | ±5° | Installation: | e.g. pole tube with holding thread PG21 / drilling 29mm Ø |
| Resolution: | 11.25° (5 bit Gray code) | Weight: | 1100 g |
| Measuring principle: | optoelectronically (slotted disk) | | |
| Sensor power supply: | 9–30VDC through ALMEMO® device | | |
| Heating: | 24VAC/DC max. 20W | | |
| Operative range: | -30 to +70 °C, with heating | | |
| Cable: | 12m long, LiYCY 6 x 0.25mm ² | | |

Type

Wind vane including ALMEMO® connector (0–2V) with 12m cable

Order no.

FVA614

Accessories for wind direction and wind velocity sensors

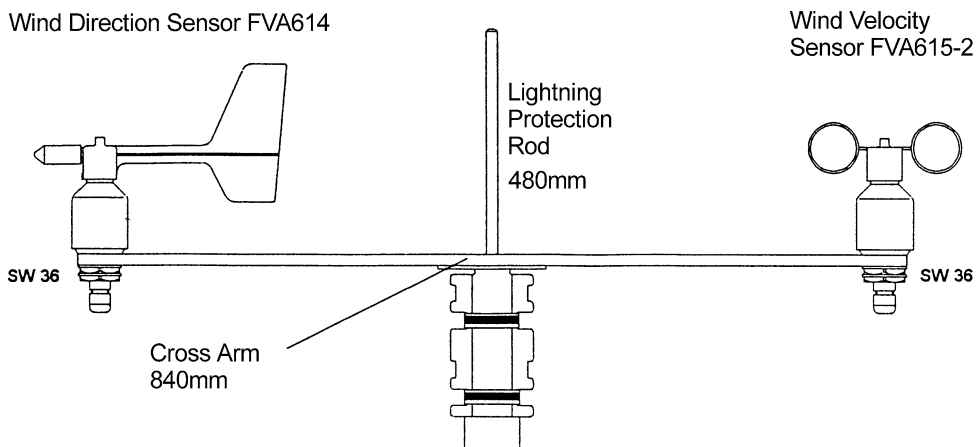
Order no.

Cross-arm for separate wind direction and wind velocity sensors inclusive assembly utilities for mast Ø 48 to 102 mm

ZB9015TC

Lightning protection rod

ZB9015BS



Wind Velocity Sensor FVA 615 2



- Wind velocity sensor for measuring the horizontal wind velocity.
- Cup-type made from robust plastic, electronics in weather-resistant aluminum housing, rotating mechanism on friction bearings.
- A special labyrinth reliably protects without friction and guards against water penetrating into the housing.
- Electronically controlled heating for operation in winter conditions to prevent bearings and external rotating parts from freezing.

Technical Data

| | | | |
|----------------------|---|---------------|--|
| Measuring range: | 0.5 to 50m/s | Connection: | Adapter cable with ALMEMO® connector including supply cable for heating (length 1.5 m, free ends) A mains supply unit must be provided by the user on site. |
| Accuracy: | ±0.5m/s ±3% of meas. value | Installation: | e.g. pole tube with holding thread PG21 / drilling 29mm Ø |
| Resolution: | 0.1m/s | Weight | 750 g |
| Measuring principle: | optoelectronically (slotted disk) | | |
| Sensor power supply: | 9–30VDC through ALMEMO® device | | |
| Heating: | 24VAC/DC max. 20W | | |
| Operative range: | -30 to +70 °C, with heating | | |
| Cable: | 12m long, LiYCY 6 x 0.25mm ² | | |

Type

Cup-type anemometer including ALMEMO® connector (0–2V) with 12m cable

Order no.

FVA6152